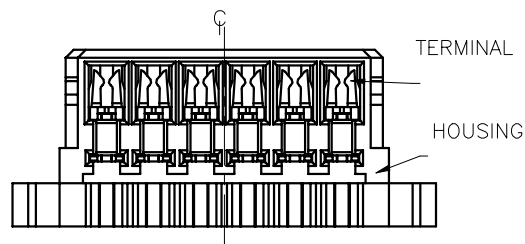
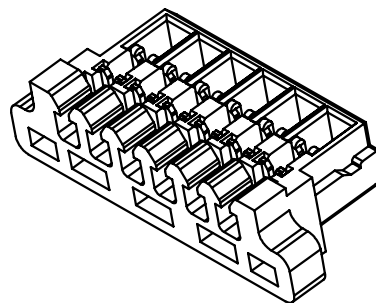


MATED CONDITION



NOTES:

- MATERIAL:
 - HOUSING: THERMOPLASTIC, HIGH TEMP.,UL94V-0
 - CONTACT: COPPER ALLOY
- FINISH:

CONTACT:

 - 50u" MIN. NICKEL PLATING OVERALL
GOLD FLASH PLATING OVERALL
 - 50u" MIN. NICKEL PLATING OVERALL
100u" MIN. MATT TIN PLATING OVERALL
- SPEC. PLS. REFER TO PS-51224-XXXX-XXX
- PACKAGE PLS. REFER TO 50476-XXXX-XXX-PCK
- APPLICABLE WIRE:
 - AWG#36/7C UL10064 OD:0.29±0.02MM.
 - AWG#36/19C UL10064 OD:0.29±0.02MM.
- PART NUMBER

51223-XXX X X- XXX

NO OF CKT:

PACKING:

- TUBE
- BAG

PLATING:

- G/F OVERALL
- MATT TIN PLATING OVERALL(LEAD FREE)
- GOLD 3u" ON CONTECT

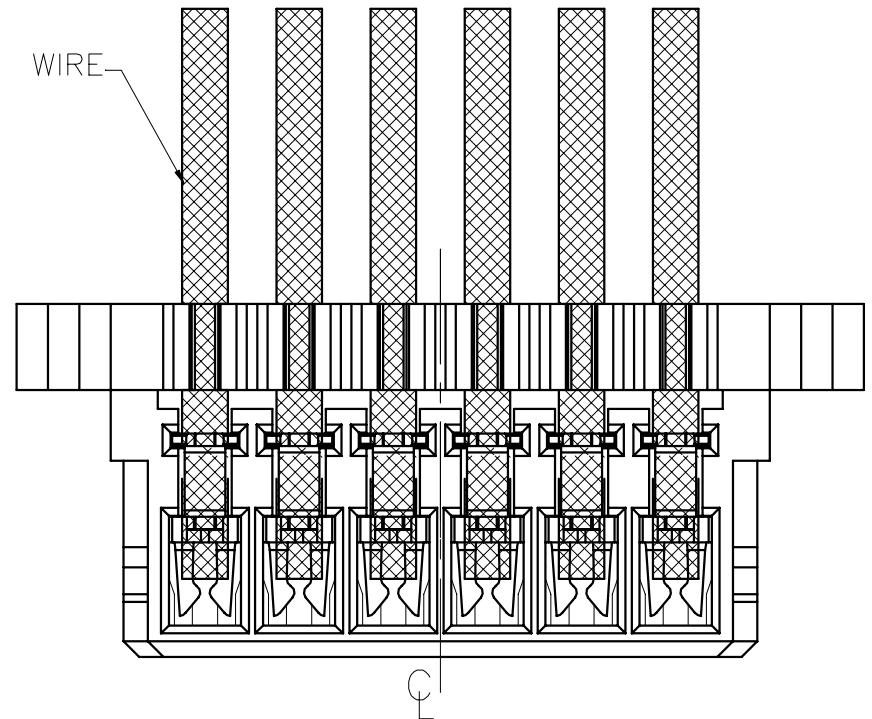
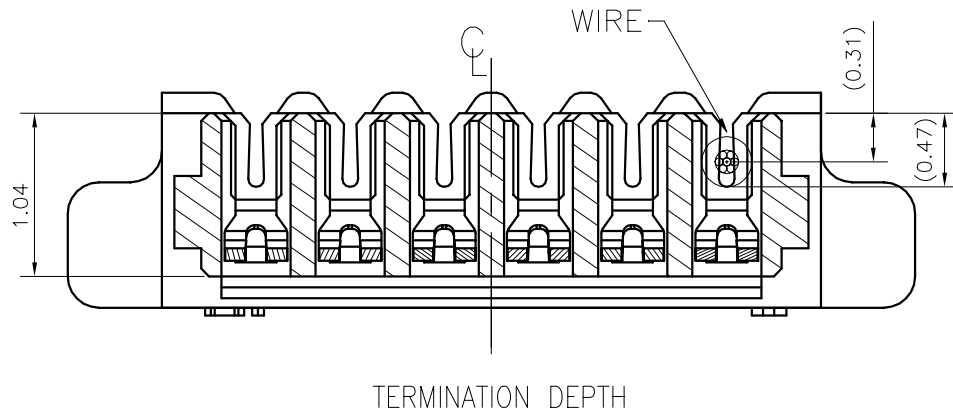
ITEM	EAR	COLOR
003	YES	BLACK
004	YES	NATURAL

CKT.	DIM A	DIM B	DIM C	DIM D	DIM E
4	1.80	2.53	3.00	4.20	2.84
5	2.40	3.13	3.60	4.80	3.44
6	3.00	3.73	4.20	5.40	4.04
7	3.60	4.33	4.80	6.00	4.64
8	4.20	4.93	5.40	6.60	5.24
10	5.40	6.13	6.60	7.80	6.44
12	6.60	7.33	7.80	9.00	7.64
14	7.80	8.53	9.00	10.20	8.84
16	9.00	9.73	10.20	11.40	10.04

QUALITY SYMBOLS MAJOR Ⓜ CRITICAL Ⓢ		DRAWN BY HSU YI LUJUN 20/09/03		DATE 20/09/03	
GENERAL TOLERANCES (UNLESS SPECIFIED) X ±0.5 .X ±0.25 .XX ±0.15 .XXX ±0.1 ANGLES ±2°		CHECKED BY CHEN CHUN YUAN 20/09/03		DATE 20/09/03	
		APPROVED BY WANG CHUN SHENG 20/09/03		DATE 20/09/03	
UNITS mm		SCALE 10:1		SIZE A4	
SHEET NO. 1 OF 2		REV D		RFG NO. N/A	
				DWG NO. 51223-XXXXX-XXX	



TITLE
0.6mm PITCH WTB (IDC) CONN.



QUALITY SYMBOLS		DRAWN BY		DATE	
MAJOR Ⓜ		HSU YI LUJN		20/09/03	
CRITICAL Ⓢ		CHECKED BY		DATE	
GENERAL TOLERANCES (UNLESS SPECIFIED)		CHEN CHUN YUAN		20/09/03	
X. ±0.5		APPROVED BY		DATE	
.X ±0.25		WANG CHUN SHENG		20/09/03	
.XX ±0.15		UNITS		SIZE	RFQ NO.
.XXX ±0.1		mm		A4	N/A
ANGLES ±2°		SCALE	SHEET NO.	REV	DWG NO.
		20 : 1	2 OF 2	D	51223-XXXXX-XXX

ACES ELECTRONICS

0.6mm PITCH WTB (IDC) CONN.